

VACUFLO'S

ELECTROGLIDE™

ELECTRIC POWERHEAD



OWNER'S MANUAL

Review this manual before operating your
Electroglide Electric Powerhead

TABLE OF CONTENTS

<i>Subject</i>	<i>Page</i>
Safety Instructions	3
Parts and Features	4
Assembling Vacuum System	5
General Operation	6
Electroglide Attachments	
Handle Attachments	6
Wand Assembly Attachments	6
Performance Features	
Edge Cleaner	7
Overload Protector	7
Suction Control	7
Maintenance and Care	
Light Bulb Replacement	8
Cleaning the Brush Assembly	8
Belt Removal and Replacement	9-11
Brush Replacement	11
Replacement Parts	12-13
Limited Warranty	14
Service Information	15

IMPORTANT SAFETY INSTRUCTIONS

Read all instructions before using this vacuum system.

When using an electrical appliance, basic precautions should always be followed, including the following:

WARNING

To reduce the risk of fire, electrical shock or injury:

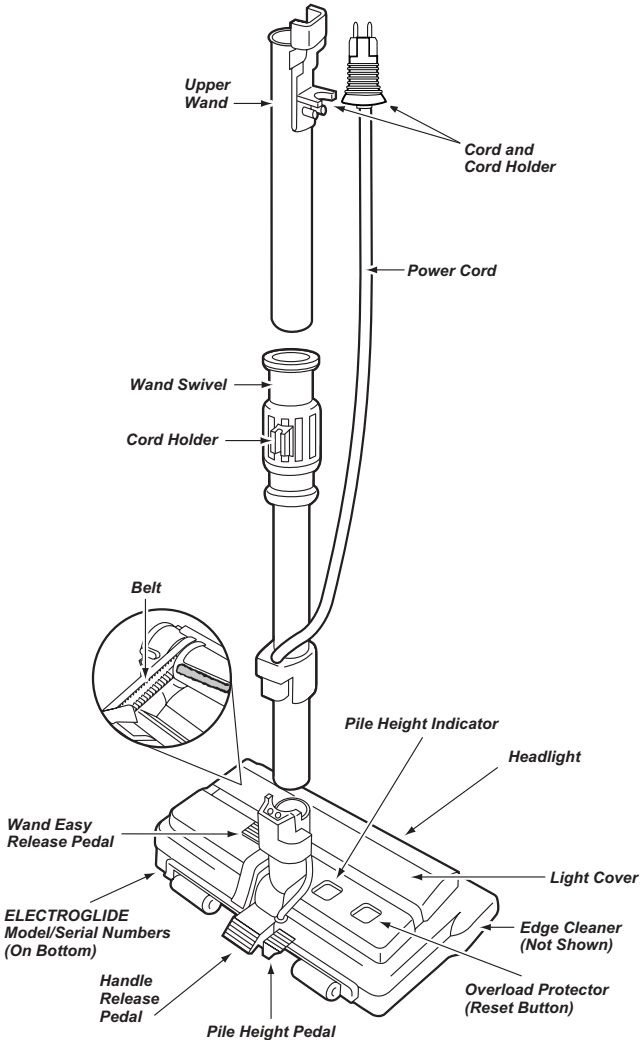
- Unplug and disconnect power before servicing.
- Do not use on wet surfaces.
- Do not allow to be used as a toy. Close attention is necessary when used by or near children.
- Use only as directed in this manual. Use only manufacturer's recommended attachments.
- Do not use with damaged cord or plug. If appliance is not working as it should, has been dropped, damaged or exposed to water, return it to a service center.
- Do not pull or carry by cord, use cord as a handle, close a door on cord, or pull cord around sharp objects or corners. Do not run appliance over cord. Keep cord away from heated surfaces.
- Do not unplug by pulling on cord. To unplug, grasp the plug, not the cord.
- Do not handle system or appliance with wet hands.
- Do not put any object into openings.
- Do not use with any opening blocked; keep free of dust, lint, hair, and anything that may reduce airflow.
- Keep hair, loose clothing, fingers, and all parts of body away from openings and moving parts.
- Do not pick up anything that is burning or smoking, such as cigarettes, matches, or hot ashes.
- Turn off all controls before unplugging.
- Use extra care when cleaning on stairs.
- Do not pick up flammable or combustible liquids such as gasoline or use it in any areas where they may be present.
- The hose contains electrical wires. Do not use if damaged, cut or punctured. Avoid picking up sharp objects.
- Always turn off this appliance before connecting or disconnecting either hose or motorized nozzle.

SAVE THESE INSTRUCTIONS

Intended for Household Use Only

PARTS AND FEATURES

It is important to know your Electroglide parts and features to assure its proper and safe use. Review these before using your Electroglide.



WARNING

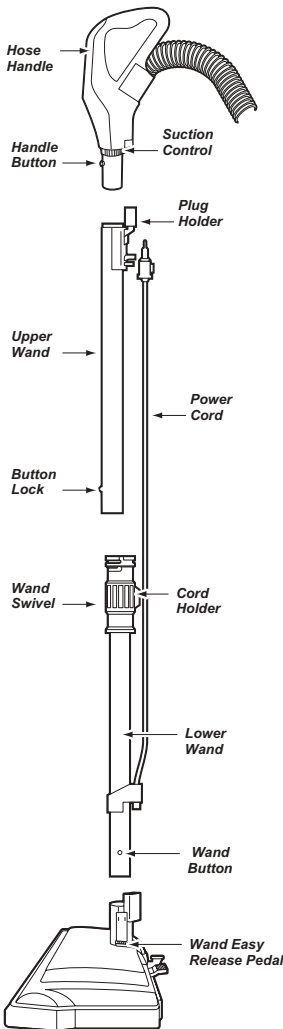
Always unplug the Electroglide before cleaning the brush area as brush may suddenly restart. Failure to do so can result in personal injury.

ASSEMBLING VACUUM SYSTEM

Before assembling your Electroglide Electric Powerhead, be sure you have all parts shown in PARTS AND FEATURES.

WARNING

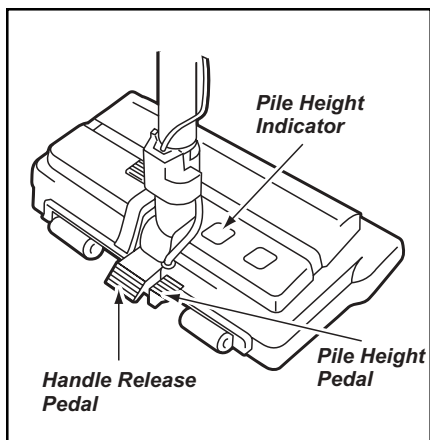
Do not plug into electrical supply until assembly is complete. Failure to do so could result in electrical shock or injury.



1. Connect the upper and lower wand sections. (The wand swivel is located on the lower wand.)
2. Slide the upper and lower wands together until the wand button snaps into place. Turn wand button to the slotted area of the wand swivel. (The swivel allows you to turn the handle to the left side to reach farther under low furniture.)
3. Insert the wand assembly into the wand socket located on the neck of the electric powerhead. The lower wand button lock will prevent the wand assembly from detaching from the Electroglide while in use.
4. Plug the power cord from the wand assembly into the receptacle at the top of the upper wand. **DO NOT FORCE.**
5. Secure the electric cord into the cord holder on the wand swivel.
6. Insert the hose handle into the wand assembly. Insert the hose wall adapter into the vacuum inlet valve. Plug the 120V power cord into the nearest electrical outlet.

To remove wands, disconnect the power cord and step on the wand release pedal, then pull up on the wands.

GENERAL OPERATION



The Electroglide is controlled by pressing the three-position on/off power control switch located on the hose handle. The headlight will operate when the Electroglide is turned on.

The powerhead has a height adjustment pedal for various carpet heights. Use the low setting for short napped carpets, and the high setting for plush carpets.

ELECTROGLIDE ATTACHMENTS

Hose Handle Attachments

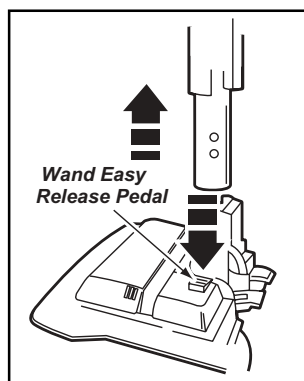
If the Electroglide is attached, turn cleaner OFF before removing hose handle from wands.

1. Press lock button, then pull to remove handle from wand.
2. Slide attachments firmly on handle as needed.

Wand Assembly Attachments

To remove wands from the Electroglide Powerhead, lock wands in straight up position.

1. Press easy release pedal with foot and pull the wands straight up out of the Electroglide Powerhead. The Electroglide plug and cord do not have to be removed to use attachments on the wands.
2. Put attachments on wands as needed.

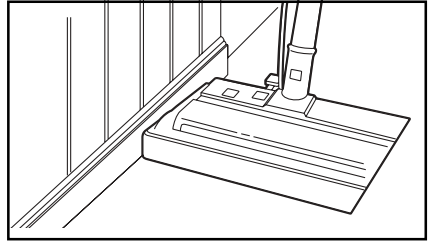


Caution: Do not attach or remove handle or wands while cleaner is ON. This could cause sparking and damage the electrical contacts.

PERFORMANCE FEATURES

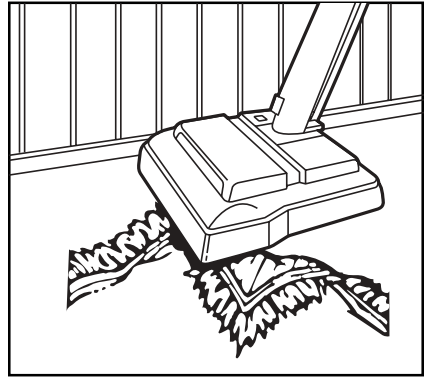
Edge Cleaner

Active brush edge cleaners are on both sides of the Electroglide. Therefore, guide either side of the Electroglide along baseboards or next to furniture to help remove dirt trapped at carpet edges.



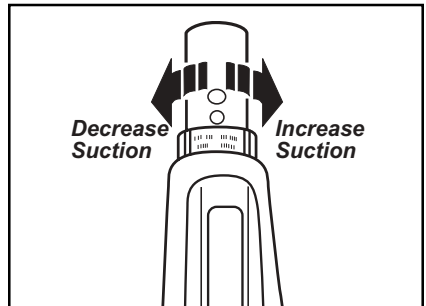
Overload Protector

The Electroglide has built-in protection against motor and belt damage should the brush jam. If the brush slows down or stops, the overload protector button pops up and shuts off the Electroglide automatically, while the power unit motor continues to run. To reset the system, just push in the overload protector button.



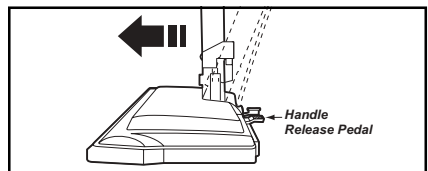
Suction Control

The suction control allows you to easily change the vacuum suction for different fabric and carpet weights. Opening the control decreases suction for drapes and lightweight rugs, while closing the control increases suction for upholsteries and carpets.



Handle Release Pedal

The handle release pedal allows you to lower the wand and handle for extended and easier reach under furniture.



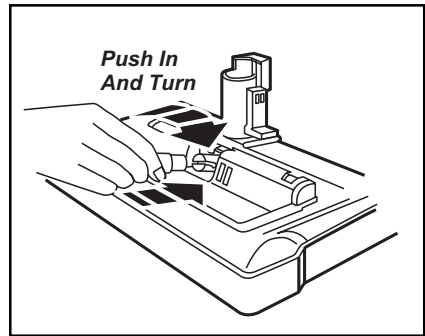
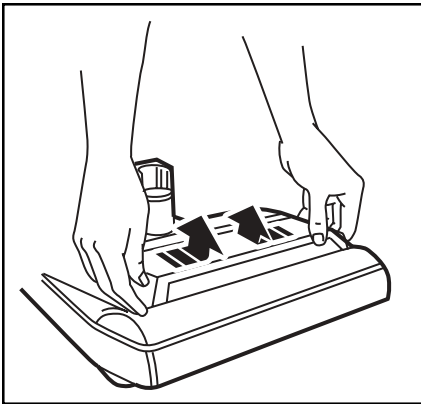
MAINTENANCE AND CARE

WARNING

Always unplug electrical cord and vacuum hose before servicing and maintaining the Electroglide Electric Powerhead. Failure to do so could result in electrical shock or personal injury from cleaner suddenly starting. Always follow all safety precautions specified when caring for your Electroglide.

Light Bulb Replacement

1. Disconnect cleaner from electrical outlet.
2. Remove light cover by pressing in and lifting both sides of cover as shown.



3. Push in and turn bulb counter clockwise to remove.
4. Replacement bulb must not be higher than 15 watts (Part #7967).
5. Close light cover until it snaps in place.

Brush Cleaning

Check the brush roll and brush support areas frequently in order to maintain optimum efficiency. If hair, string, thread, carpet fiber or lint becomes wound around the brush roll, remove by unwinding them by hand or carefully cutting with scissors. If buildup becomes excessive, disconnect the Electroglide Powerhead from the wand assembly and follow the **Brush Replacement** steps on Page 11. Instructions can also be found under the light cover.

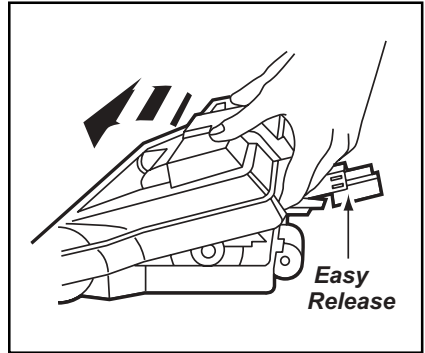
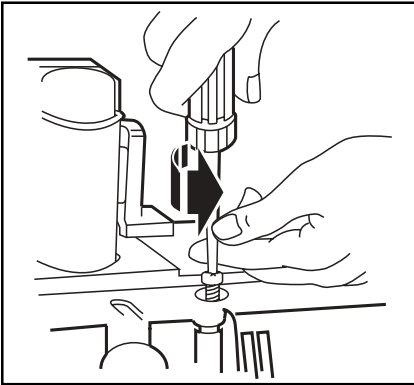
MAINTENANCE AND CARE

Belt Removal and Replacement

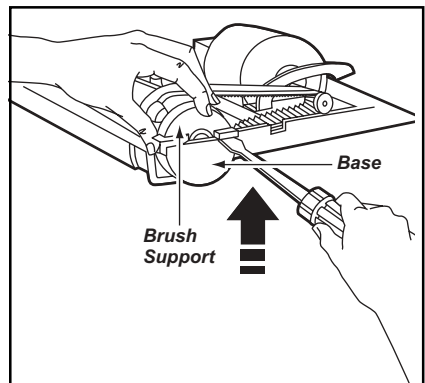
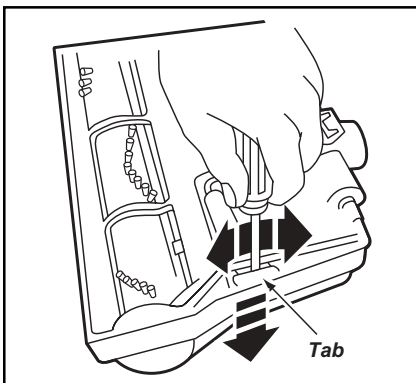
The belt should also be checked periodically to be sure it is in good condition. It should be replaced if it is stretched, cracked or broken. If the belt needs replaced, use only Electroglide Belt # 7960.

To remove belt:

1. Remove light cover and light bulb as shown on Page 8.
2. Unscrew the Electroglide Powerhead cover screws.
3. Turn Electroglide Powerhead over. To remove cover, insert screwdriver at cover tabs on both sides and twist to release tabs.
4. Turn Electroglide Powerhead right side up. Press handle release pedal and lower the swivel. Tilt cover forward from back until front snaps free.
5. Carefully insert and twist screwdriver at each brush support to free brush from base.



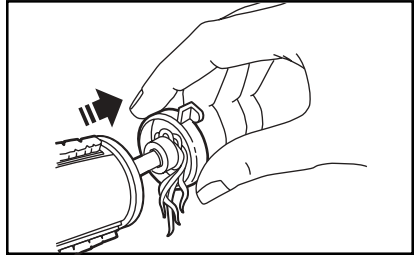
3. Turn Electroglide Powerhead over. To remove cover, insert screwdriver at cover tabs on both sides and twist to release tabs.



MAINTENANCE AND CARE

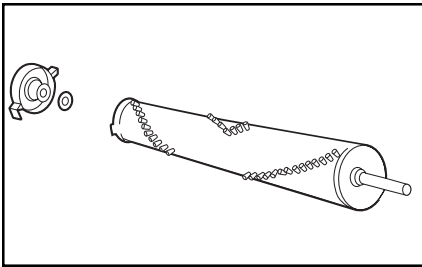
Belt Removal *(continued)*

6. Remove worn belt.
7. Slide brush supports off to check and clean brush support areas.

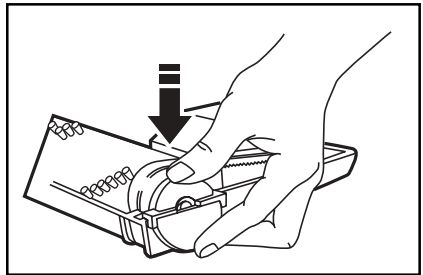


To replace belt:

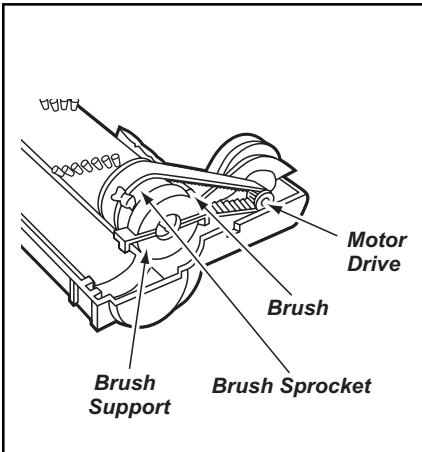
1. Slide washers and brush supports onto brush assembly.



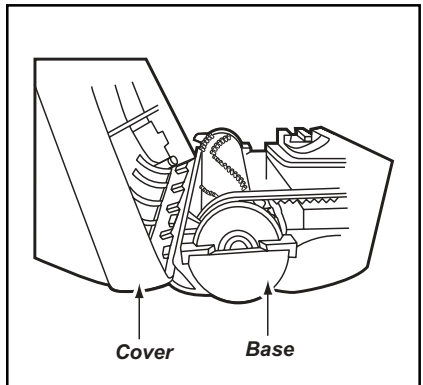
3. Snap brush supports into place on base. Be sure brush supports are not upside-down.



2. Install new belt over motor drive, then over brush sprocket.



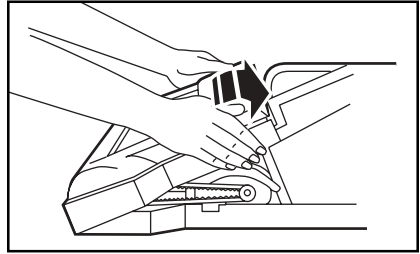
4. Line up front of cover and base. Rest cover on front edge of base as shown.



MAINTENANCE AND CARE

Belt Replacement *(continued)*

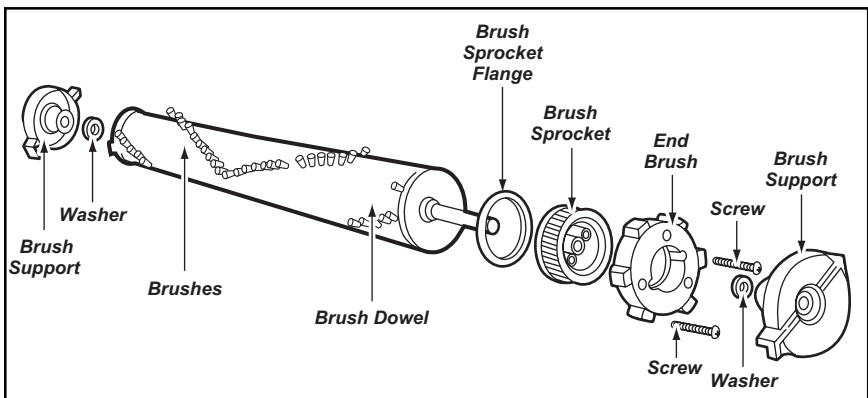
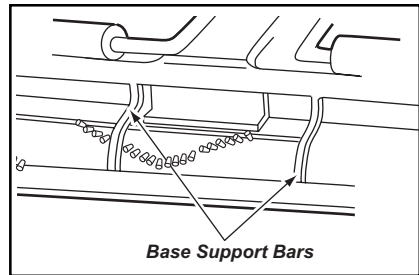
5. Tilt cover to back. Press cover firmly until side tabs snap into place. Replace cover screws, light bulb and light cover.



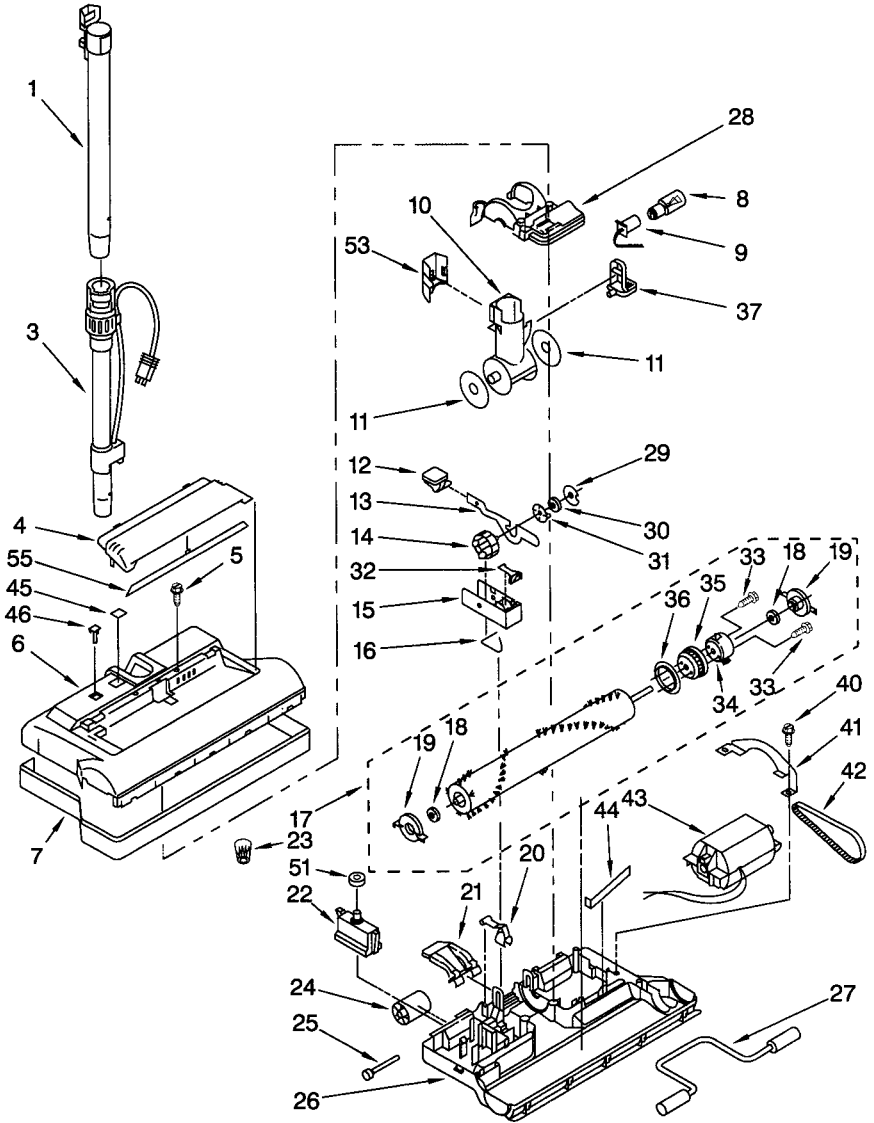
Brush Replacement

1. Remove the Electroglide Powerhead cover, belt and brush assembly.
2. Remove brush supports, washers, screws, end brush, and brush sprocket pieces from ends of brush assembly.
3. Reassemble brush assembly as shown below.
4. Replace belt, brush assembly, Electroglide Powerhead cover, light bulb and light cover.

Replace brushes when the brushes are worn to the level of the base support bars.



ELECTROGLIDE REPLACEMENT PARTS



ELECTROGLIDE REPLACEMENT PARTS

Illus. No.	Part No.	Part Description	Illus. No.	Part No.	Part Description
1	7922	Wand (Upper)	27	7946	Front Axle Assembly
3	7923	Wand (Lower)	28	7947	Swivel Cap
4	7972	Cover, Power Head	29	7948	Washer Thrust
5	7925	Screw 8-18 x 1-7/8 (2)	30	7949	Washer
6	7926	Nozzle Housing	31	7950	Catch Indexing
7	7927	Bumper	32	7951	Ratchet Catch
8	7967	Bulb, Light (15 Watt)	33	7952	Screw Type 25 #6 Pan (2)
9	7965	Socket, Bulb	34	7953	End Brush Tufted
10	7929	Swivel	35	7954	Brush Sprocket
11	7930	Swivel Seal (2)	36	7955	Brush Sprocket Flange
12	7931	Pad, Foot Pedal	37	7928	Easy Release Pedal
13	7932	Indicator Lever	40	7958	Screw 8-18 x 5/8 (2)
14	7933	Indicator Cam	41	7959	Motor Bridge
15	7934	Indicator Block	42	7960	Belt, Cogged
16	7935	Spring Assist	43	7961	Motor
17	7936	Brush Assembly	44	7962	Motor Adjustment Spring
18	7937	Washer, Metal (12 x 1/2) (2)	45	7963	Lens, Height Adjustment
19	7938	Bearing & Housing Assembly (2) (includes Illus. 18)	46	7964	Button, Extension
20	7939	Lifter	51	7973	Seal, Overload
21	7940	Handle Release	53	7969	Cover, Plug
22	7941	Overload Protector	55	7968	Lens, Light
23	7942	Wire Connector			
24	7943	Roller, Rear (2)			
25	7944	Rear Axle (2)			
26	7945	Base			

LIMITED WARRANTY

H-P PRODUCTS, INC. warrants that the Electroglide Electric Powerhead, when used for household purposes, pursuant to Seller's instructions, will be free from defects in materials and workmanship for a period of one year from the date of the initial consumer purchase. H-P PRODUCTS, INC. warrants that the Electroglide Electric Powerhead, when used in a commercial application, pursuant to Seller's instructions, will be free from defects in materials and workmanship for a period of ninety (90) days from the date of the initial sale by H-P PRODUCTS, INC. This warranty is limited to the replacement of defective parts and any costs of shipping shall be incurred by the purchaser. THIS WARRANTY IS EXCLUSIVE AND IS IN LIEU OF ALL OTHER WARRANTIES, EXPRESS, IMPLIED, OR STATUTORY, AND H-P PRODUCTS, INC. SPECIFICALLY DISCLAIMS RESPONSIBILITY FOR CONSEQUENTIAL AND INCIDENTAL DAMAGES, AND LIMITS THE IMPLIED WARRANTY OF MERCHANTABILITY TO THE PERIOD OF EFFECTIVENESS OF THIS EXPRESS WARRANTY.

Technology for cleaner living™



WARNING:
ELECTRIC SHOCK
COULD OCCUR IF USED
ON WET SURFACES

SERVICE INFORMATION

The instructions in this booklet serve as a guide to routine maintenance. If additional service or repairs are required, please call 1-800-822-8356 for your nearest authorized service dealer.

H-P PRODUCTS, INC.
512 W. GORGAS STREET
LOUISVILLE, OHIO 44641
1-800-822-8356
www.vacuflo.com



H-P Products, Inc.

512 W. Gorgas Street

Louisville, Ohio 44641-0912

1-800-822-8356

www.vacuflo.com